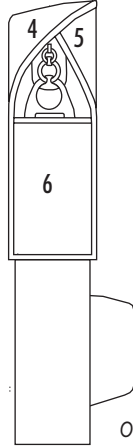
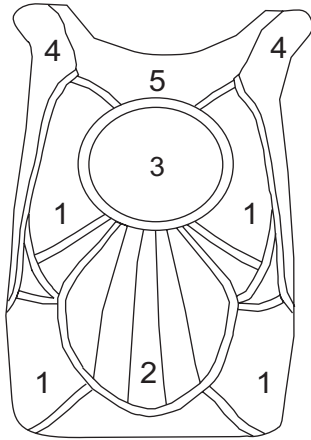
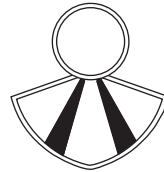


Racer Tandem ~~Order Form~~

Rev. Jan. 2007



3 Stripes, Midflap & Hat \$



Classic 3 Stripes, Midflap Only \$

Other appliques available. See back of form.

The only Tandem Harness made with non-slippable Type 13 webbing (both passenger and Instructor harness), for the ultimate safety, security and comfort.

Other appliques available. See back of this page

Name: _____
 Address: _____
 City: _____ State: _____ Zip: _____
 Country: _____ Telephone: _____

Material

- Parapac
- Cordura

Colors

- 1) _____
 2) _____
 3) _____
- Stripes on Midflap/Hat
- 4) _____
 5) _____
 6) _____

Back Pad Color: _____

Leg Pad Color: _____

Trim Tape Color: _____

Harness Color: _____

Chest Strap Color: _____

Cutaway Handle Color: _____

Hook Knife Pocket Standard on back of Passenger Harness

Drogue Options

- Leather Hackey Handle \$

Color A: _____

Color B: _____

Drogue Size

- 47"
- 40"

Container Sizing

Reserve size

- 400
- 500

Main Size

- 298 FireBolt
- 396 Elliptical
- 350 Elliptical

Special Options

- Tie-Dye Option \$

Leg Strap

- Thread Thru
- B-12 Snaps \$

Double thick leg pads are standard.

Harness Sizing

- Height _____
 Weight _____
 Inseam _____
 Chest/Bust _____
 Waist _____
 Hips _____
 Thigh(les strap) _____
 Back (C-7 to L-4) _____
 Shoulder Width _____

Embroidery

Embroidery on Mud Flap \$

Left Mud Flap (#6)

Right Mud Flap (#6)

Text: _____

- Block Script

Thread Color: _____

Extra Parts

- Reserve Bag/Bridle \$ 100800
- Reserve Pilotchute \$ 13050
- Quick Loop \$ 101210
- Pilotchute Hat \$ 10110
- Main Bag/Drogue/Bridle \$ 10070
- Main Toggles/pair \$ 13080
- Reserve Toggles \$ 13080
- Closing Loop \$ 1318
- 32" Drogue Release r/c \$ 10621
- 52" Drogue Release r/c \$ 10620
- Reserve Ripcord \$ 10210
- Tandem Main Risers \$ 10140
- Main/Drogue Cutaway Handle \$
- Double Ended Loops \$ 131800
- Tandem Fly-Away Ring \$ 10680
- Drogue Bridle Harness \$ 10670
- Examiner Handles \$ 10610
- Examiner Mounts \$ 106100
- Solo Jump X-Connect \$ 13360
- Tandem Gear Bag \$ 17050

Prices are subject to change

Jump Shack

1665 N. Lexington Ave. #106
 Deland, FL 32724 USA
 Ph: (386) 734-5867
 FAX: (386) 734-8464
 E-mail: sales@jumpshack.com
 Website: www.jumpshack.com

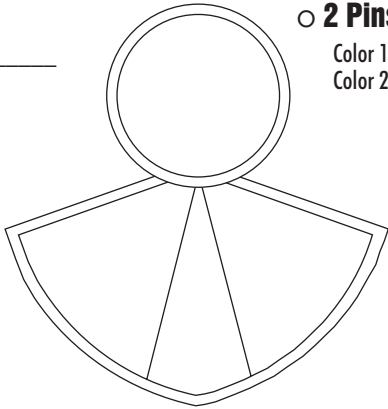
Custom Applique Price & Design Chart rev. Jan. 2007

If you would like an applique different than the ones shown here, you may design your own custom applique. The price is \$40/hour to cover the cost of designing custom patterns.

Midflap Only \$

1 Stripe

Color: _____

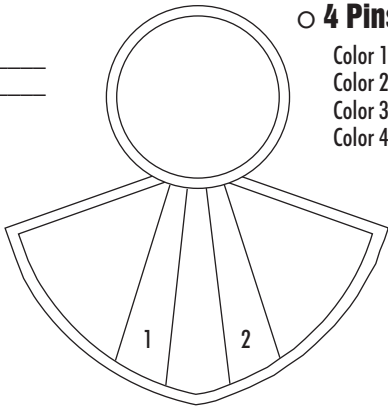


2 Pinstripes

Color 1: _____
Color 2: _____

2 Stripes

Color 1: _____
Color 2: _____

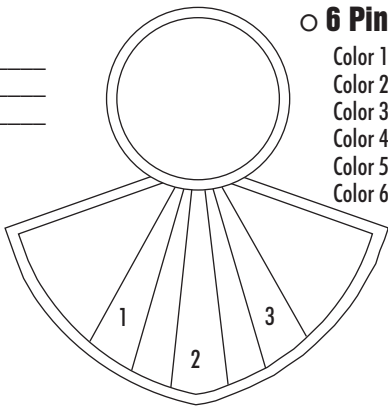


4 Pinstripes

Color 1: _____
Color 2: _____
Color 3: _____
Color 4: _____

3 Stripes

Color 1: _____
Color 2: _____
Color 3: _____

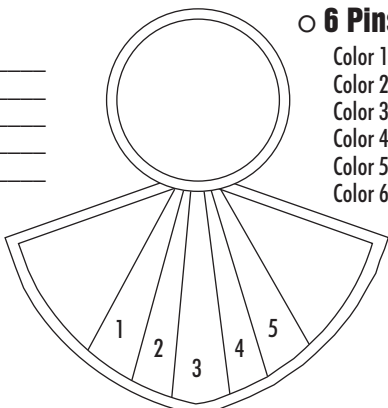


6 Pinstripes

Color 1: _____
Color 2: _____
Color 3: _____
Color 4: _____
Color 5: _____
Color 6: _____

5 Stripes

Color 1: _____
Color 2: _____
Color 3: _____
Color 4: _____
Color 5: _____



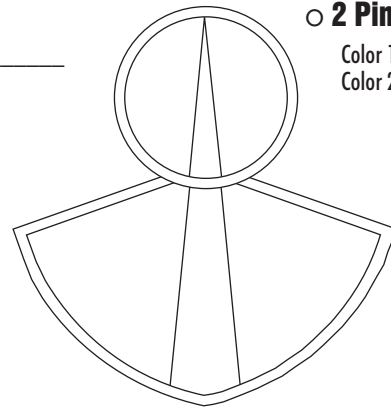
6 Pinstripes

Color 1: _____
Color 2: _____
Color 3: _____
Color 4: _____
Color 5: _____
Color 6: _____

Midflap & Hat \$

1 Stripe

Color: _____

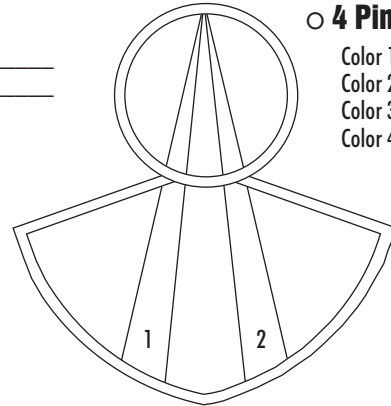


2 Pinstripes

Color 1: _____
Color 2: _____

2 Stripes

Color 1: _____
Color 2: _____

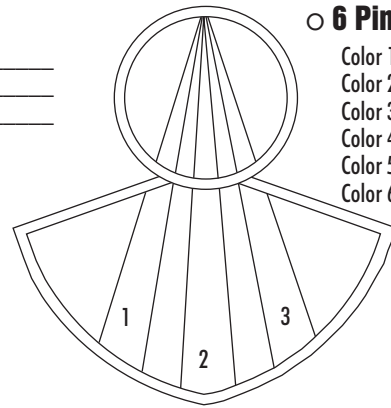


4 Pinstripes

Color 1: _____
Color 2: _____
Color 3: _____
Color 4: _____

3 Stripes

Color 1: _____
Color 2: _____
Color 3: _____

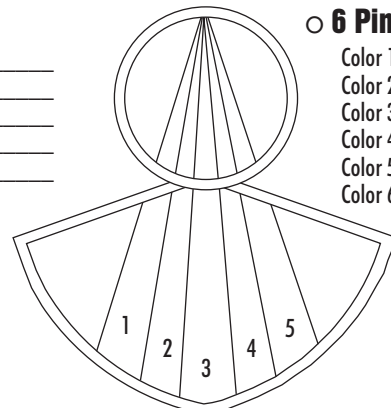


6 Pinstripes

Color 1: _____
Color 2: _____
Color 3: _____
Color 4: _____
Color 5: _____
Color 6: _____

5 Stripes

Color 1: _____
Color 2: _____
Color 3: _____
Color 4: _____
Color 5: _____



6 Pinstripes

Color 1: _____
Color 2: _____
Color 3: _____
Color 4: _____
Color 5: _____
Color 6: _____