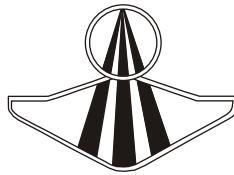
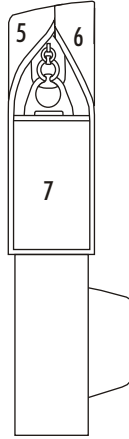
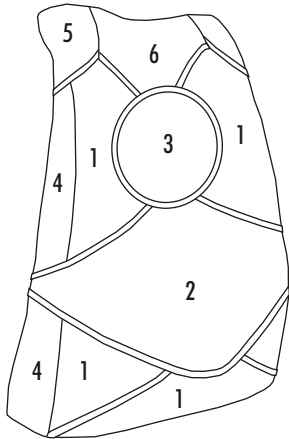


Classic Racer

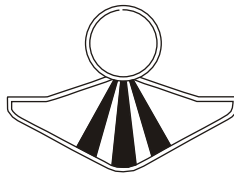
Magnetic Epaulets
Velcro Along Sidewall

- Narrow Over the Shoulder
 Wide Over the Shoulder

Revised
May 2010



3 Stripes Midflap & Hat \$75



Classic 3 Stripes Midflap Only \$75

Other appliques available. See back of form.

The **RACER** Sport container with fully sealed riser covers (partial Velcro), magnet or Velcro Epaulet

Name: _____

Address: _____

City: _____ State: _____ Zip: _____

Country: _____ Telephone: _____

Email: _____

Material

- Parapac
 Cordura

Colors

- 1) _____
2) _____
3) _____

- Stripes on Midflap/Hat

- 4) _____
5) _____
6) _____
7) _____

Back Pad Color: _____

Leg Pad Color: _____

Trim Tape Color: _____

Harness Color: _____

Chest Strap Color: _____

Cutaway Handle Color: _____

Embroidery

Embroidery on Mudflap \$20

- Left Mud Flap (#7)
 Right Mud Flap (#7)

Text: _____

- Block Script

Thread Color: _____

Main Activation

- Pull-Out
 Handle Color: _____
 Throw-Out (right legpad)
 Spandex Pocket
 Throw-Out (B.O.C.) \$
 Ripcord

Main Pilot Chute

- Kill-Line Collapsible
 Zero-P Pilot Chute \$
 Custom Color P.C. \$
Color: _____
 Leather Hackey Handle \$
Color A: _____
Color B: _____

Container Sizing

Reserve Canopy

Manufacturer: _____
Model: _____
Size: _____
Spectra Dacron

Main Canopy

Manufacturer: _____
Model: _____
Size: _____
Spectra Dacron

Format

- Power Racer (9"X9")
 Thinline (11"X11")
 Square Back (12"X12")
 Narrow (12"X14")
 We Decide

Harness Options

- Conventional
 Hip Rings \$
 Stepped Harness \$
 Type 17 (1") Chest Strap

Leg Strap

- Thread Thru
 B-12 Snaps \$

Mud Flap

This option may be dictated by the harness size.

- Long
 Short (w/ low or high chest strap only)

Chest Strap Location

- Low
 Medium (w/ long mudflap only)
 High

Harness Sizing

Height _____
Weight _____
Inseam _____
Chest/Bust _____
Waist _____
Hips _____
Thigh _____
Back (C-7 to L-4) _____
Shoulder _____

Special Options

- Low Profile Reserve Handle
 Narrow Legpads
 Small Reserve Pilot Chute
 Stainless Steel 3-Ring & Friction Adaptors \$
 RSL \$
 Double Thick Legpads \$
 Parapac Back/Legpads \$
 Hook Knife \$
 Pinstripe on Cutaway \$
Color: _____
 Metal Low Profile Cutaway Handle \$
 Spacer Foam on Back \$ and Leg Pads
 Pinstripe on Mudflap \$
Color: _____
 Two-tone #1 Flap \$
 Tie-Dye Option \$
(Available on Cordura only)
Cordura Color : _____
Dye Color : _____

Prices are subject to change

Parachute Labs, Inc

1665 N. Lexington Ave. #106
Deland, FL 32724 USA
Ph: (386) 734-5867
FAX: (386) 734-8464
E-mail: sales@jumpshack.com
Website: www.jumpshack.com

Custom Applique Price & Design Chart

rev. May 2010

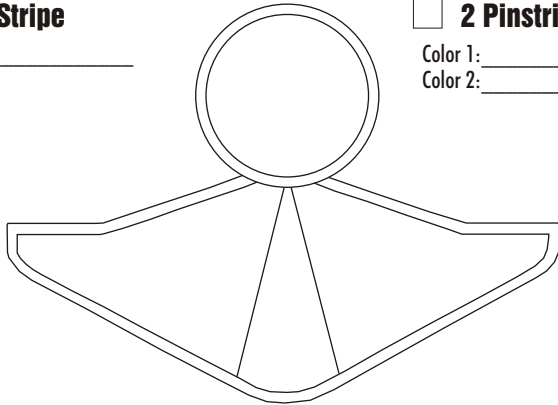
Note: Pinstripes are not available on the SRP (Small Reserve Pilotchute) hat. If you would like pinstripes on an SRP rig, they must be on the midflap only. \$75 for any pattern.

If you would like an applique different than the ones shown here, you may design your own custom applique. The price is \$50/hour to cover the cost of designing custom patterns.

Midflap Only

1 Stripe

Color: _____

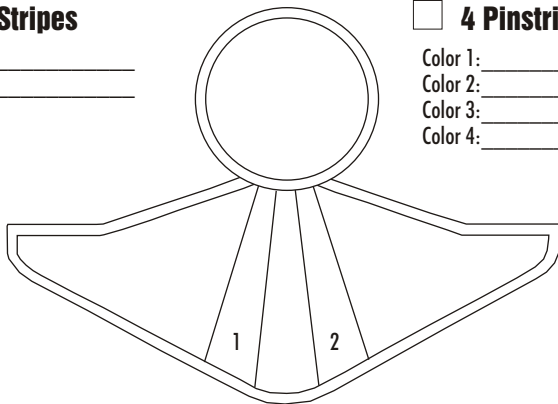


2 Pinstripes

Color 1: _____
Color 2: _____

2 Stripes

Color 1: _____
Color 2: _____

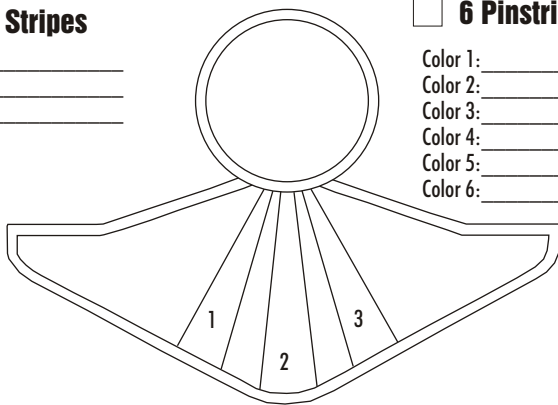


4 Pinstripes

Color 1: _____
Color 2: _____
Color 3: _____
Color 4: _____

3 Stripes

Color 1: _____
Color 2: _____
Color 3: _____

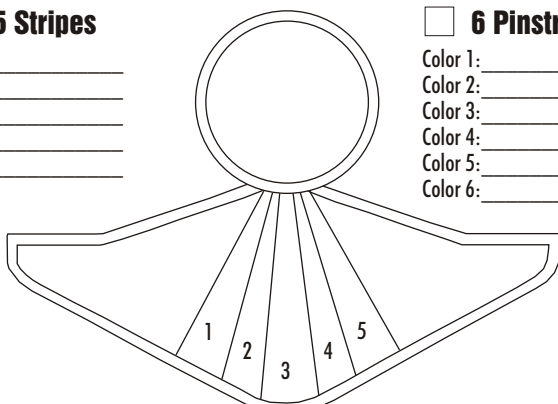


6 Pinstripes

Color 1: _____
Color 2: _____
Color 3: _____
Color 4: _____
Color 5: _____
Color 6: _____

5 Stripes

Color 1: _____
Color 2: _____
Color 3: _____
Color 4: _____
Color 5: _____



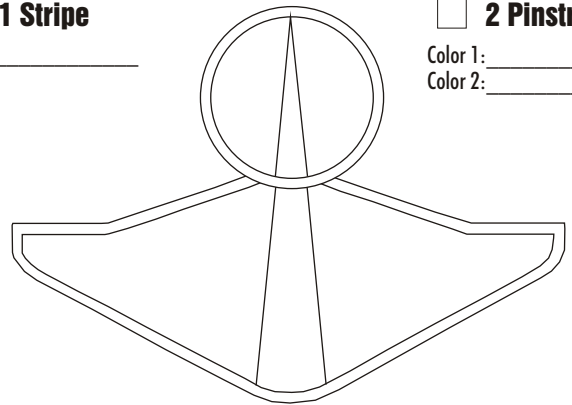
6 Pinstripes

Color 1: _____
Color 2: _____
Color 3: _____
Color 4: _____
Color 5: _____
Color 6: _____

Midflap & Hat

1 Stripe

Color: _____

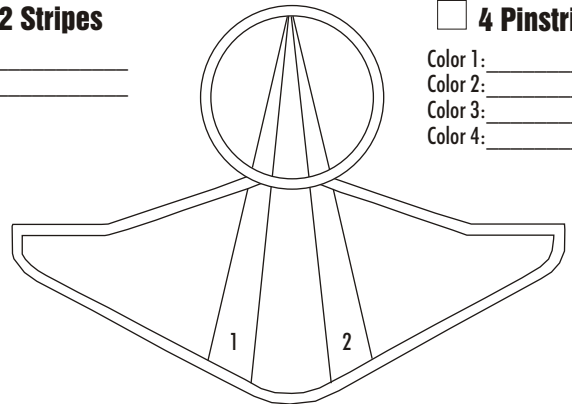


2 Pinstripes

Color 1: _____
Color 2: _____

2 Stripes

Color 1: _____
Color 2: _____

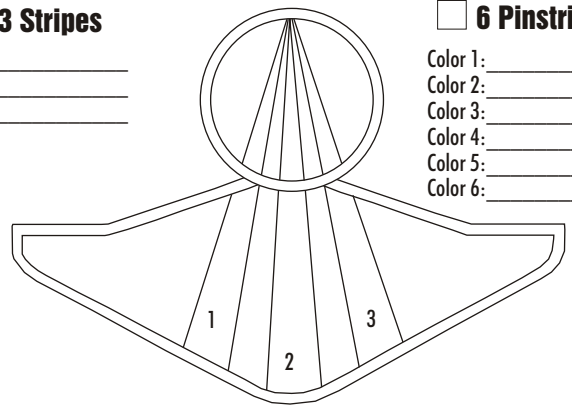


4 Pinstripes

Color 1: _____
Color 2: _____
Color 3: _____
Color 4: _____

3 Stripes

Color 1: _____
Color 2: _____
Color 3: _____

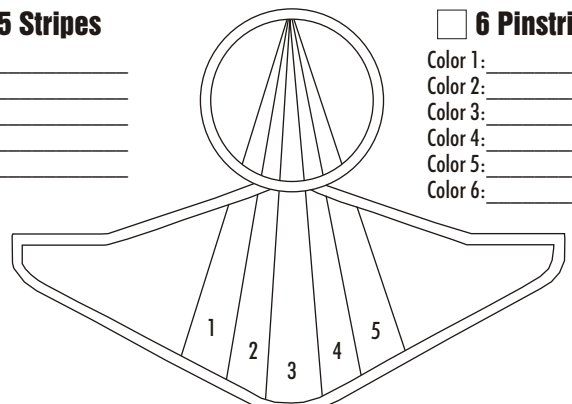


6 Pinstripes

Color 1: _____
Color 2: _____
Color 3: _____
Color 4: _____
Color 5: _____
Color 6: _____

5 Stripes

Color 1: _____
Color 2: _____
Color 3: _____
Color 4: _____
Color 5: _____



6 Pinstripes

Color 1: _____
Color 2: _____
Color 3: _____
Color 4: _____
Color 5: _____
Color 6: _____